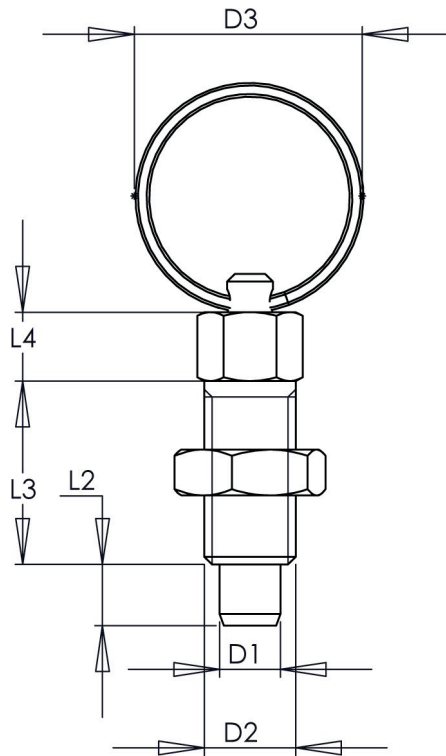


For use where high precision indexing is not required. Depth of socket adjustable with the supplied locking nut. Pulling on the ring retracts the plunger, releasing resets the mechanism.



Specification

Threaded socket
Steel Zinc plated
or Stainless Steel

Plunger
Stainless Steel
1.4305

Spring
Stainless Steel
1.4310

Ring
Stainless Steel
1.4310

Part No.	D1 Plunger	D2 thread	D3 ring	L2	L3	L4
4-AK	4mm	M6	14	4	12	4.5
5-AK	5mm	M8	18	5	16	6
6-AK	6mm	M10	24	6	20	7.5
8-AK	8mm	M12	30	8	24	9

All data is subject to manufacturing tolerances, changed can be applied without notice. This range is available in stainless steel, just add suffix 'SS' to part e.g: 5-AK-SS