




 PRECISION MADE IN THE
 U.S.A.

Positive Lock Pins

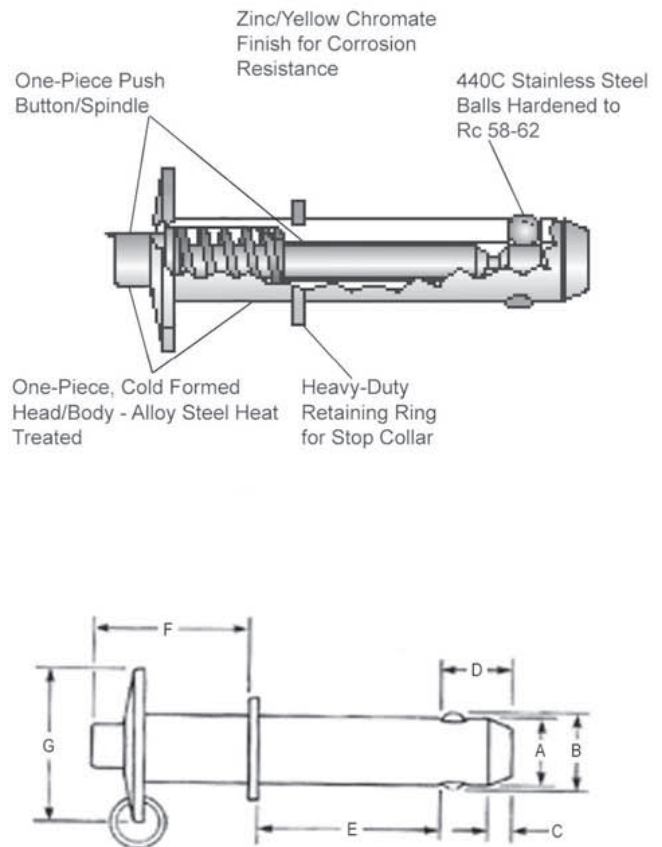
Positive Lock Pins have a push button that initiates ball action and retraction. Positive locking design combines secure fastening with "quick release" ease of removal. Double ball design increases retention capabilities.

Our unique design features both a one-piece, cold formed body and spindle for increased durability. See product features below!

Stocked in heat treated alloy steel for strength and durability. Standard finish is Zinc with Yellow Chromate. Other finishes available.

Positive Lock Pins

Part No.	Stock Sizes (diameter x effective length)	Approximate Weight/ Pounds per 100 pieces
PL4-500	1/4 x 1/2	2.84
PL4-750	1/4 x 3/4	3.19
PL4-1000	1/4 x 1	3.54
PL4-1250	1/4 x 1-1/4	3.89
PL4-1500	1/4 x 1-1/2	4.24
PL5-1000	5/16 x 1	5.37
PL5-1250	5/16 x 1-1/4	5.90
PL5-1500	5/16 x 1-1/2	6.42
PL5-1750	5/16 x 1-3/4	6.94
PL5-2000	5/16 x 2	7.44
PL6-1000	3/8 x 1	7.70
PL6-1250	3/8 x 1-1/4	8.48
PL6-1500	3/8 x 1-1/2	9.25
PL6-1750	3/8 x 1-3/4	10.03
PL6-2000	3/8 x 2	10.80
PL6-2250	3/8 x 2-1/4	11.58
PL6-2500	3/8 x 2-1/2	12.35
PL8-1000	1/2 x 1	13.65
PL8-1500	1/2 x 1-1/2	16.45
PL8-1750	1/2 x 1-3/4	17.85
PL8-2000	1/2 x 2	19.25
PL8-2500	1/2 x 2-1/2	22.05
PL8-3000	1/2 x 3	24.85
PL8-3500	1/2 x 3-1/2	27.65



Shank Diameter A	Ball Height B	Chamfer Length x Deg C	End Length D	Effective Length E	Top Length F	Head Diameter G	Approximate Double Shear/ Pounds
1/4 (.2455/.2485)	.234/.294	.093 x 22°	.312	as required	.870	.700	8,200
5/16 (.308/.311)	.370/.380	.125 x 22°	.312	as required	.870	.800	12,800
3/8 (.3705/.3735)	.435/.445	.125 x 22°	.375	as required	.900	.860	18,400
1/2 (.4955/.4985)	.589/.599	.125 x 22°	.437	as required	1.125	1.000	32,800

Unless otherwise noted, all dimensions are for reference only.